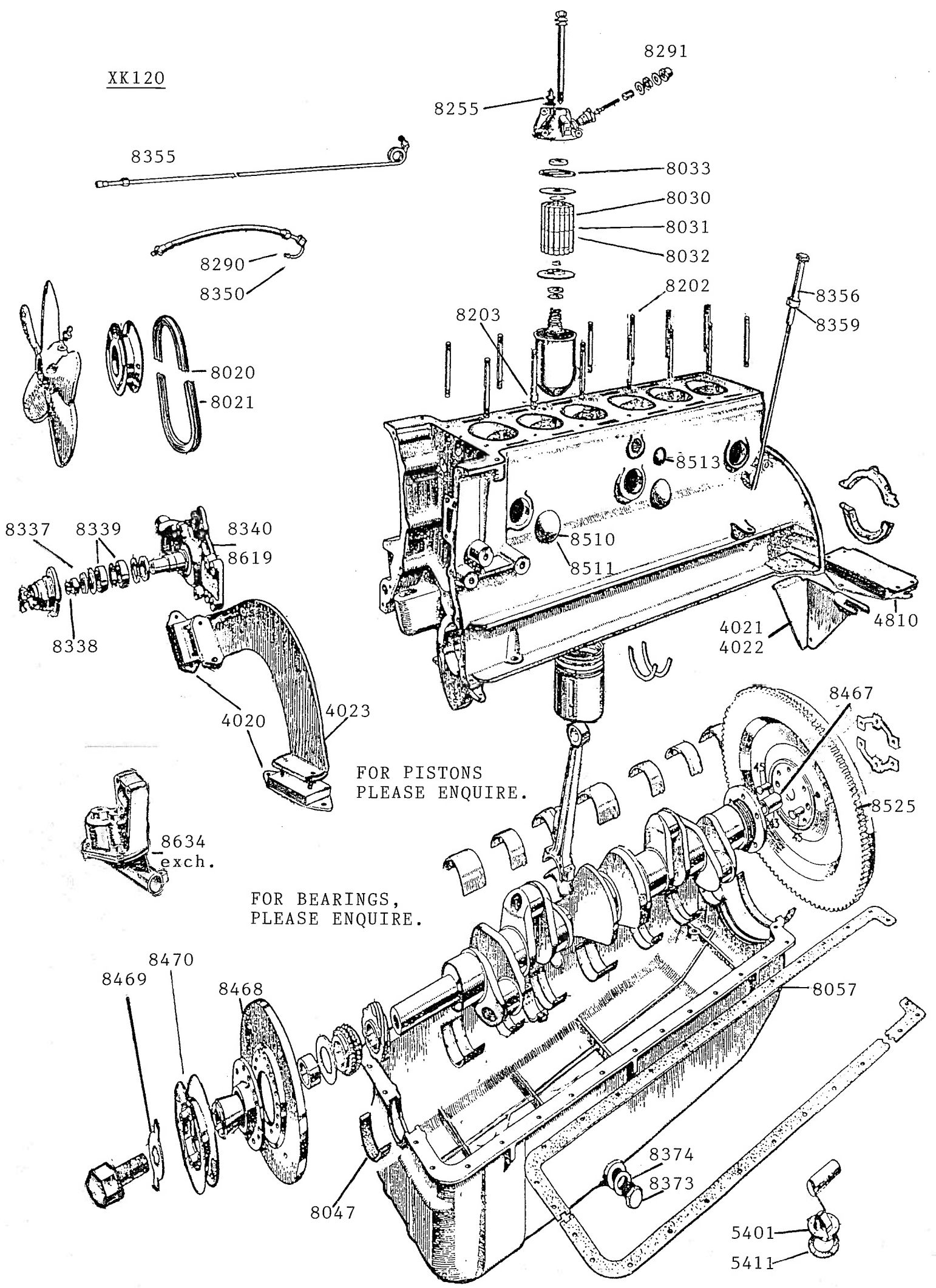
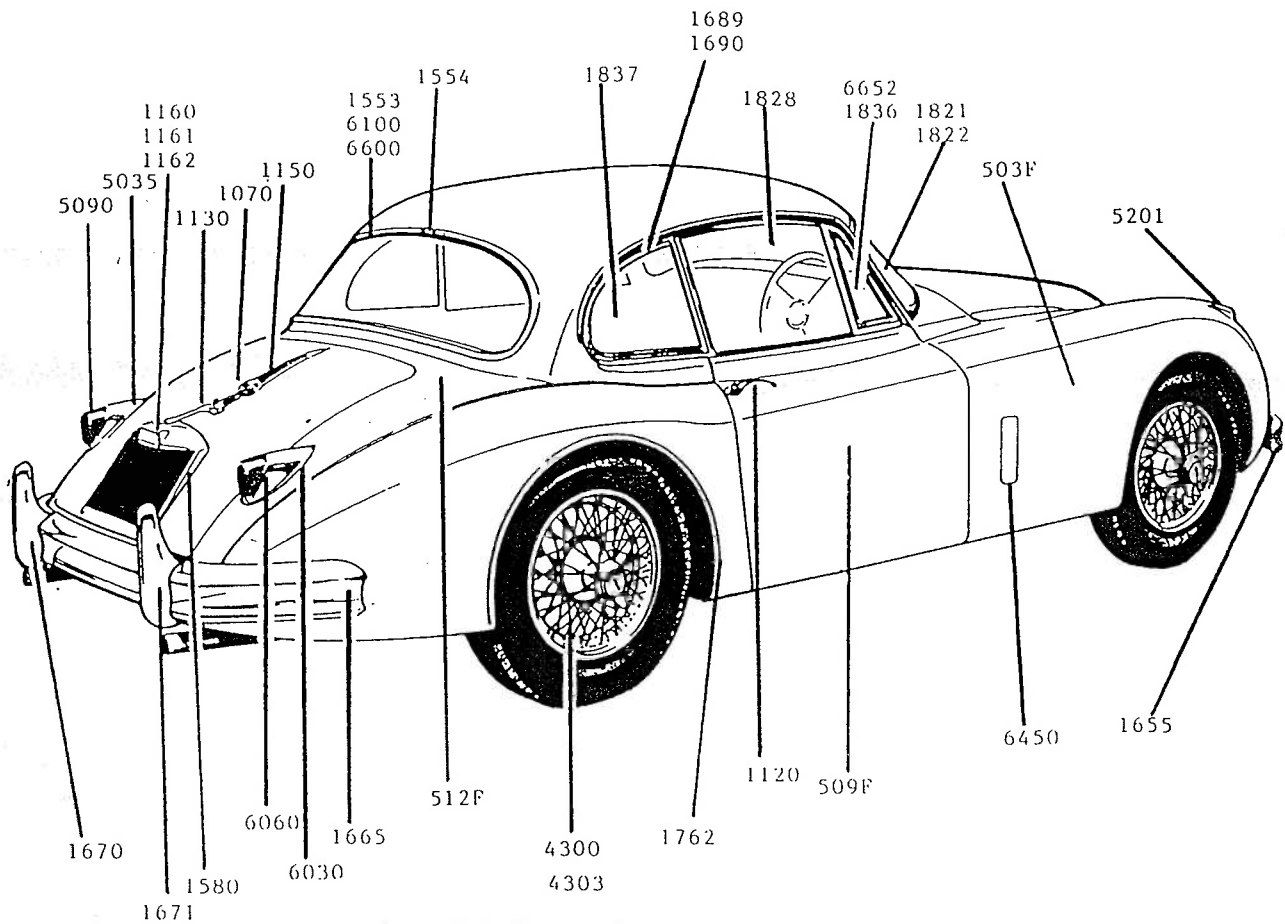


XK120

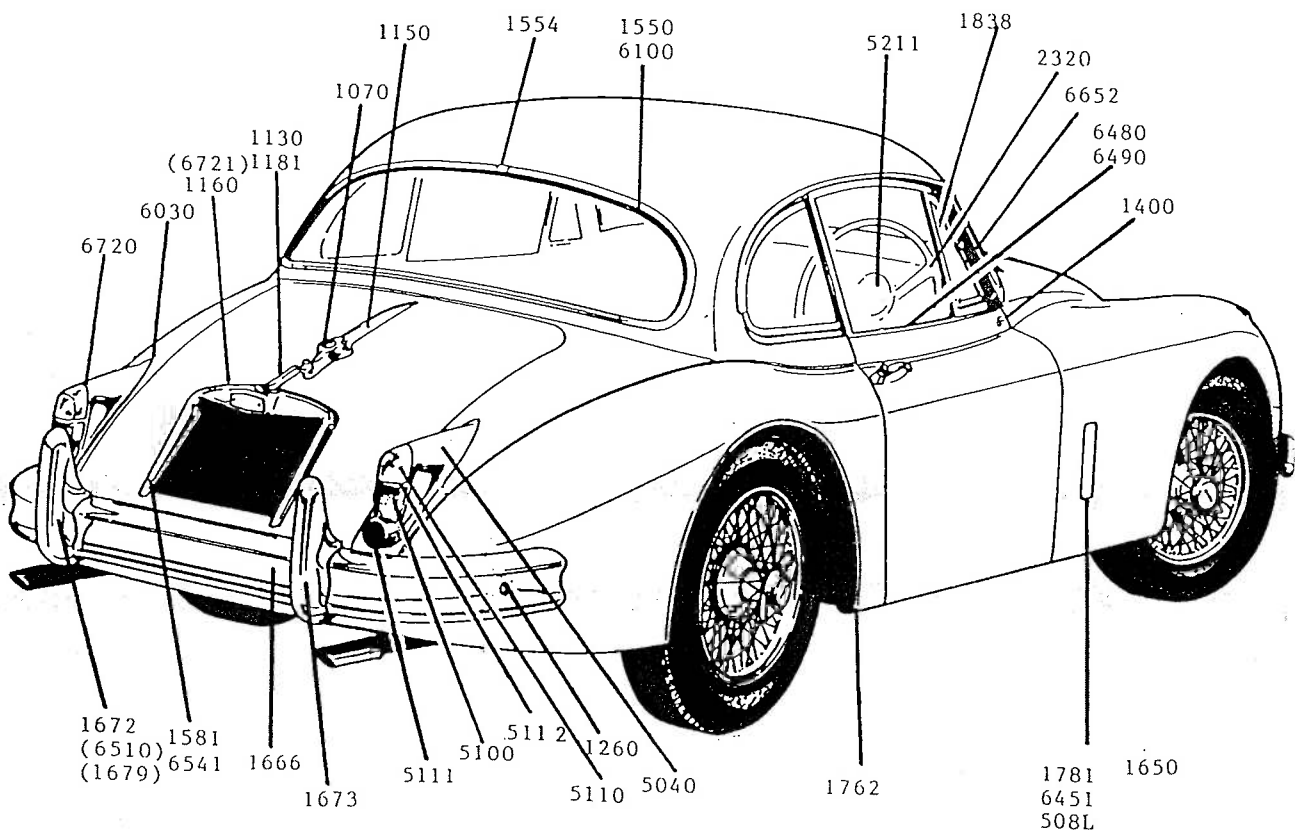


FOR PISTONS  
PLEASE ENQUIRE.

FOR BEARINGS,  
PLEASE ENQUIRE.

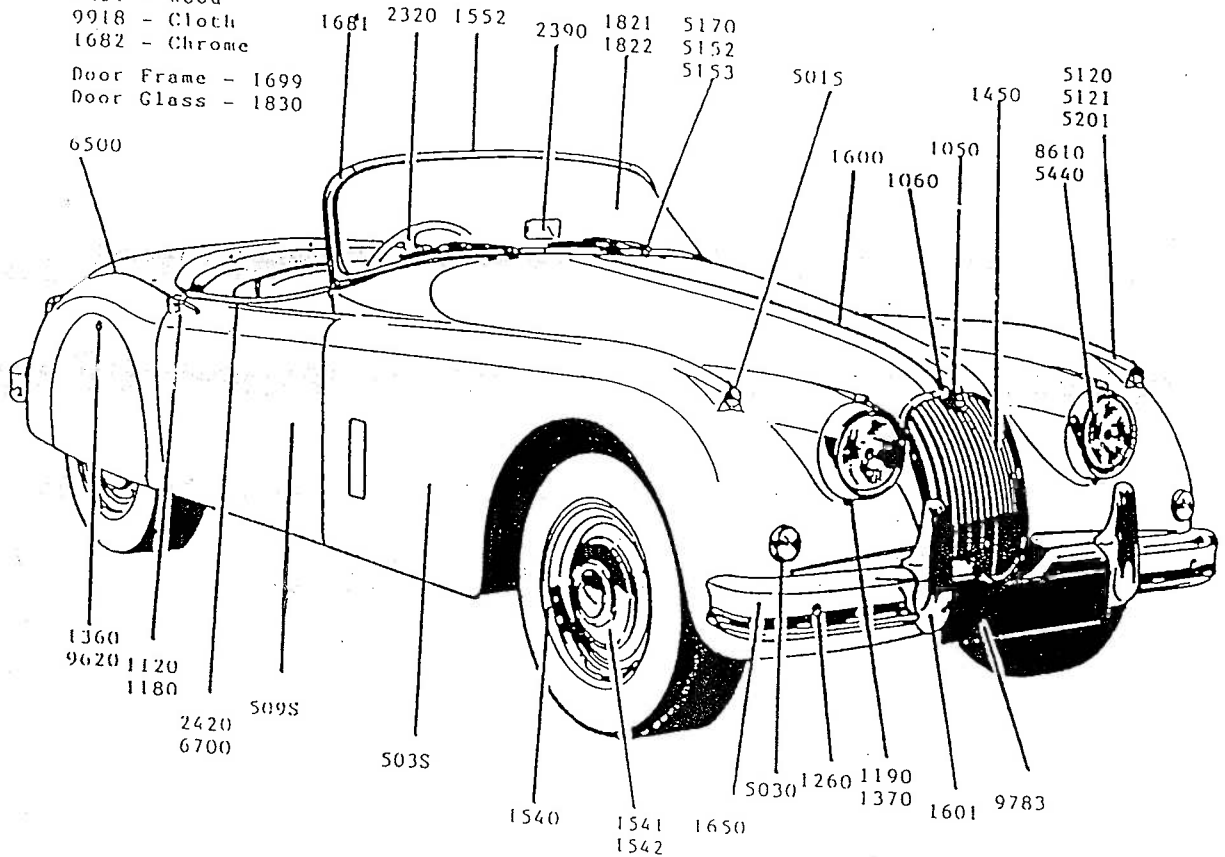


EARLY XK150 FHC



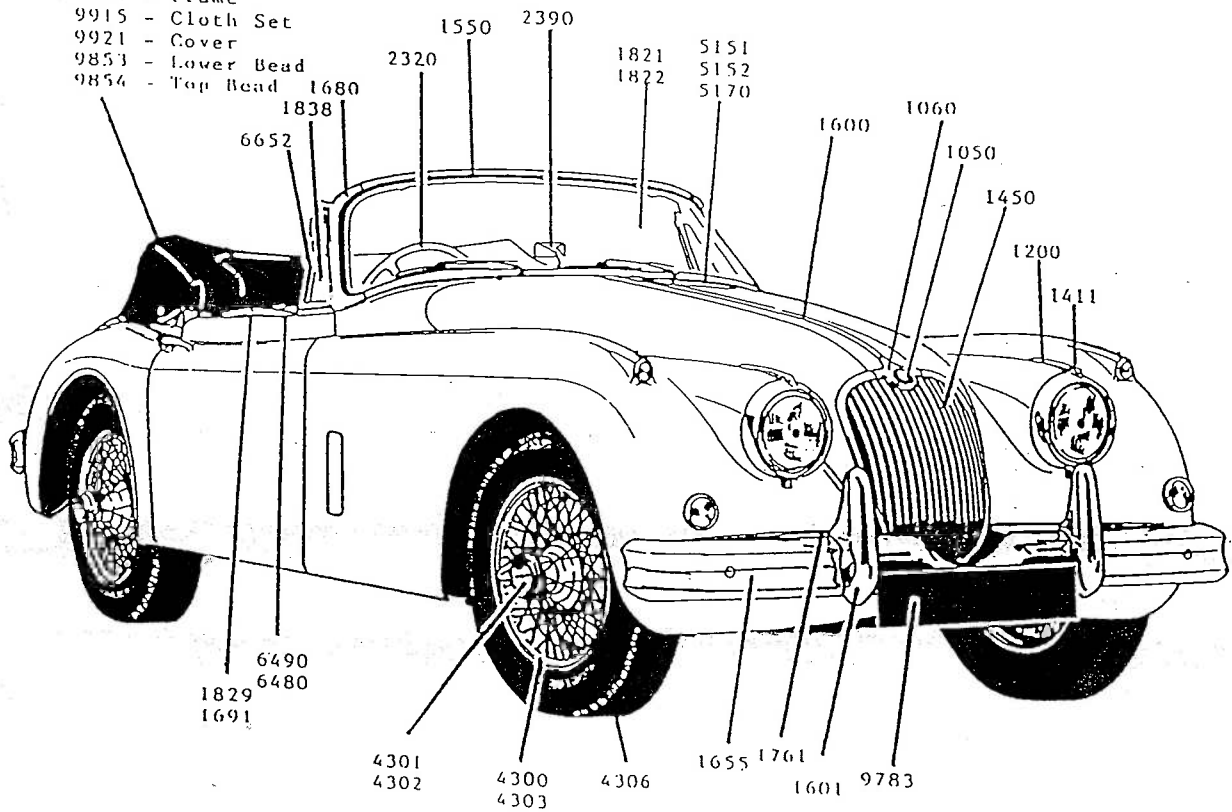
LATE XK150 FHC

For Hood See  
 9860 - Frame  
 9251 - Wood  
 9918 - Cloth  
 1682 - Chrome  
 Door Frame - 1699  
 Door Glass - 1830

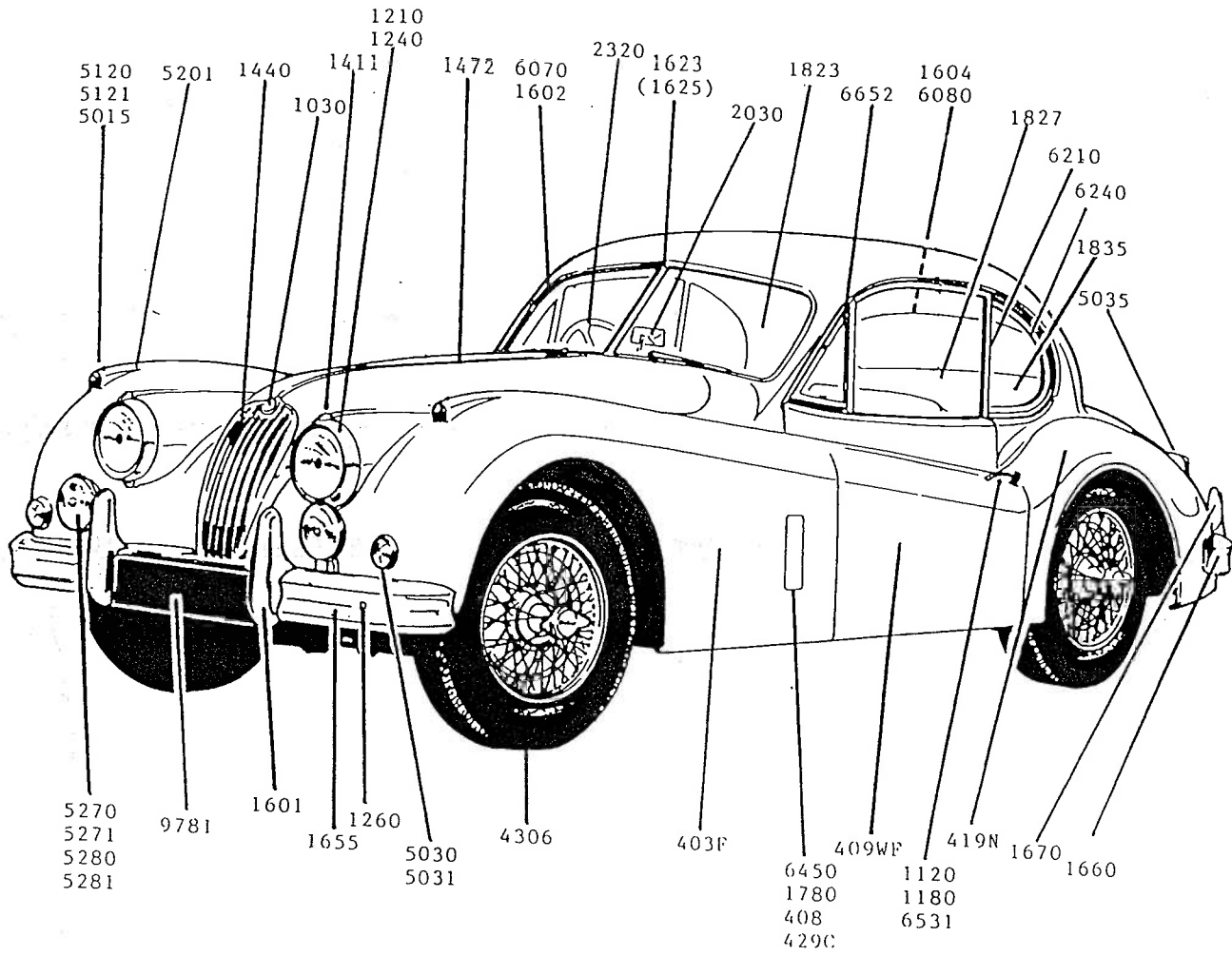


XX150 OTS

For Hood See  
 9254 - Cockpit Veneer  
 9267 - Tacking Set  
 9861 - Frame  
 9915 - Cloth Set  
 9921 - Cover  
 9853 - Lower Bead  
 9854 - Top Bead

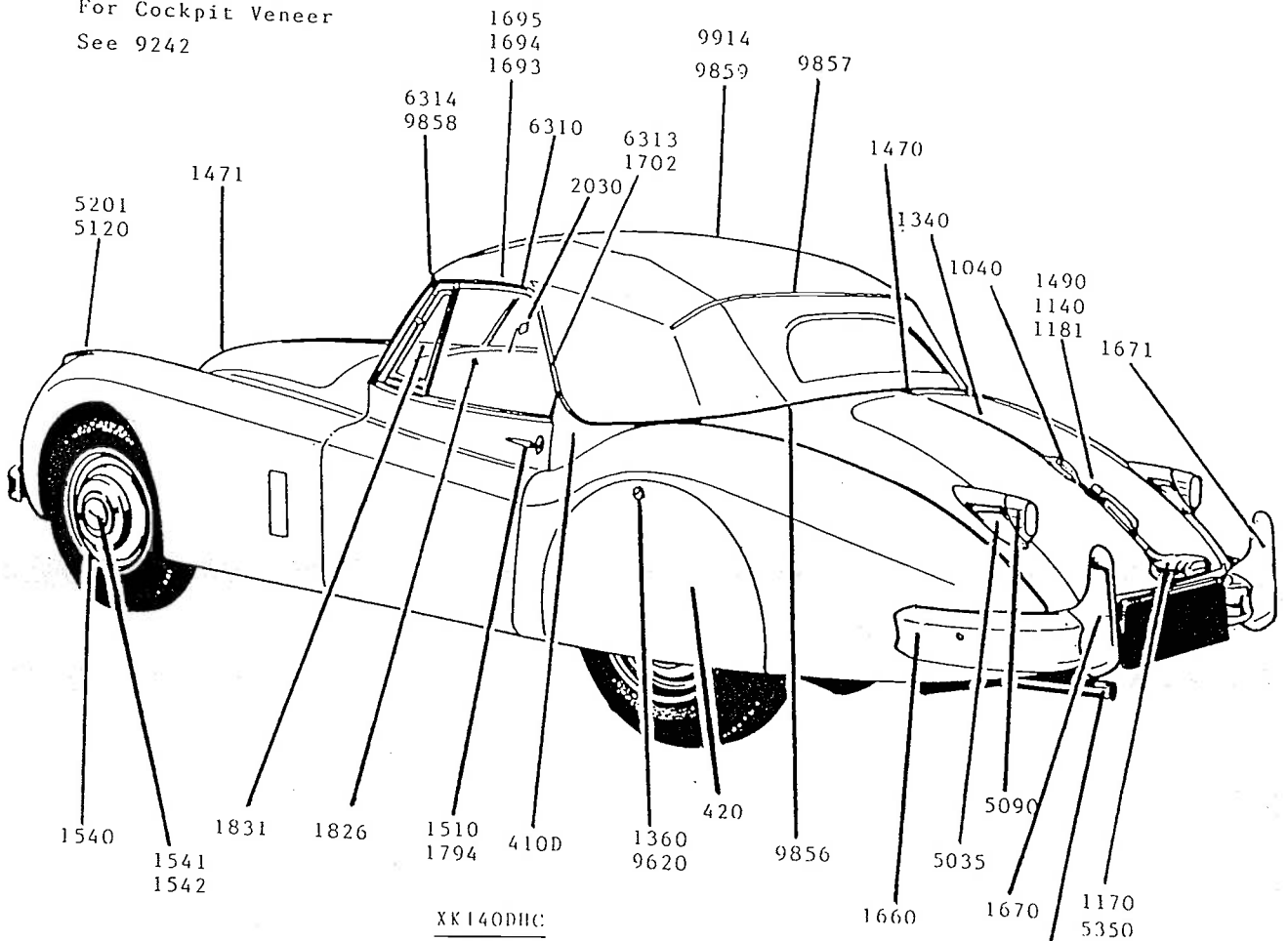


XX150 - DHC



XK140FHC

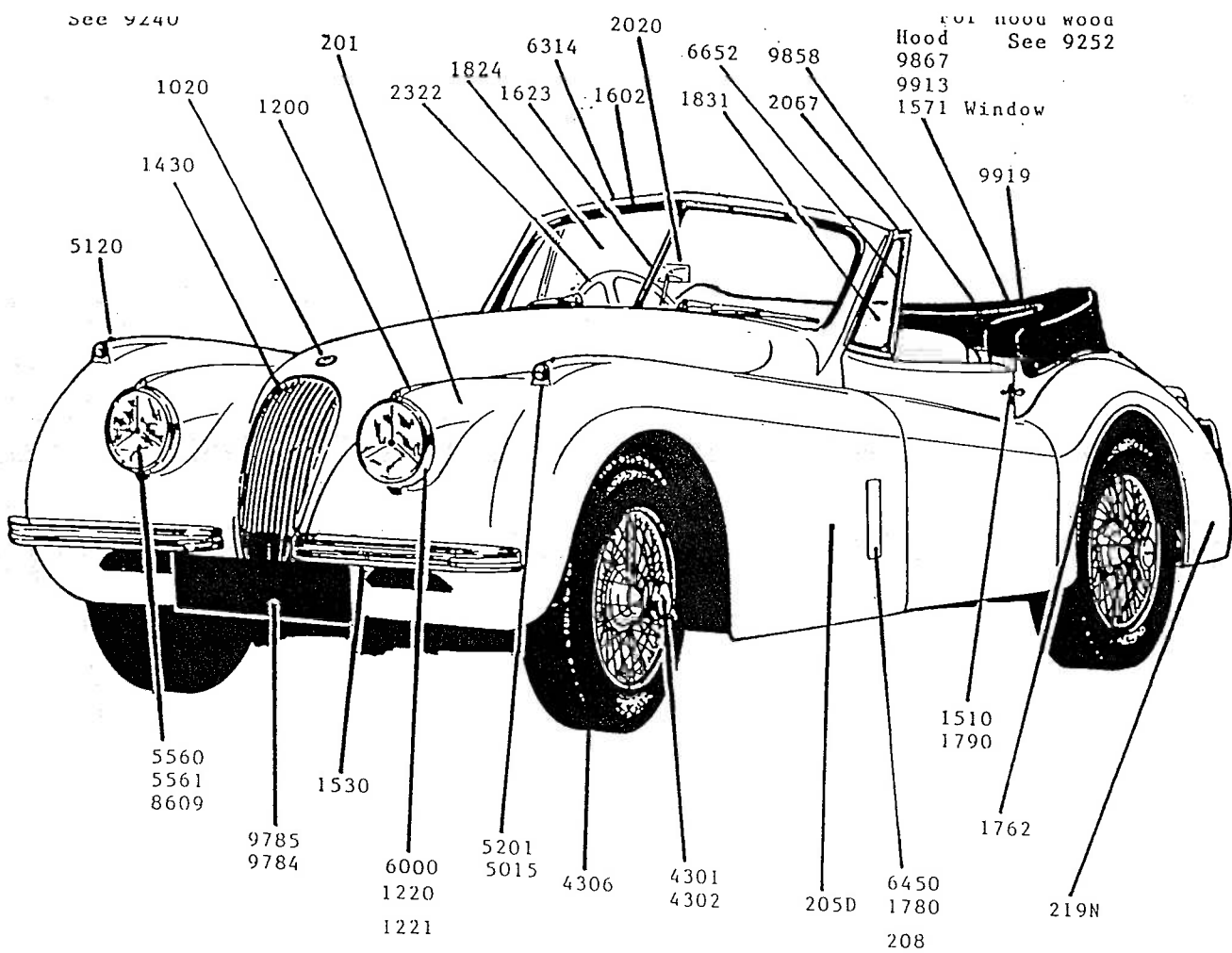
For Hoodwood See 9253  
 For Cockpit Veneer  
 See 9242



XK140DHC

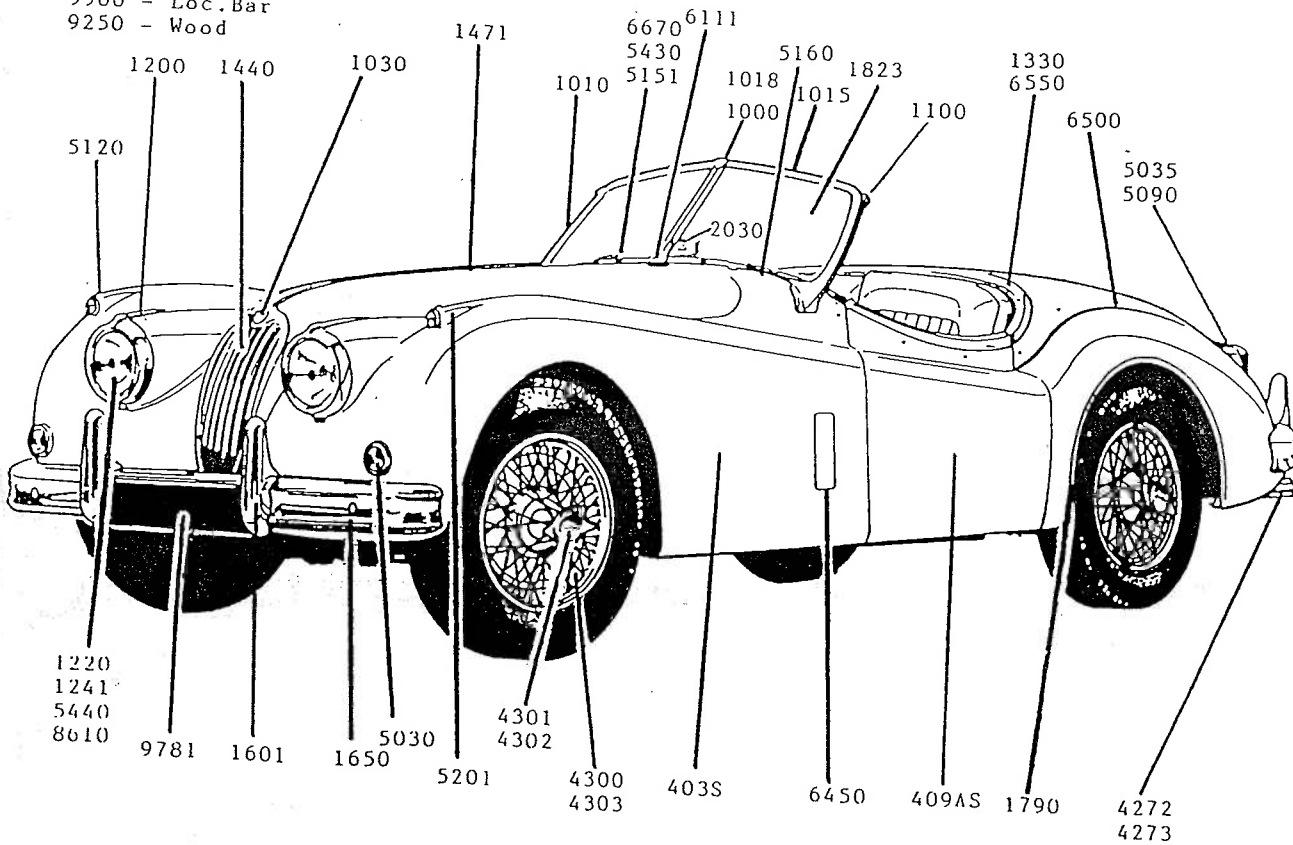
See 9240

for hood wood  
Hood See 9252  
9867  
9913  
1571 Window



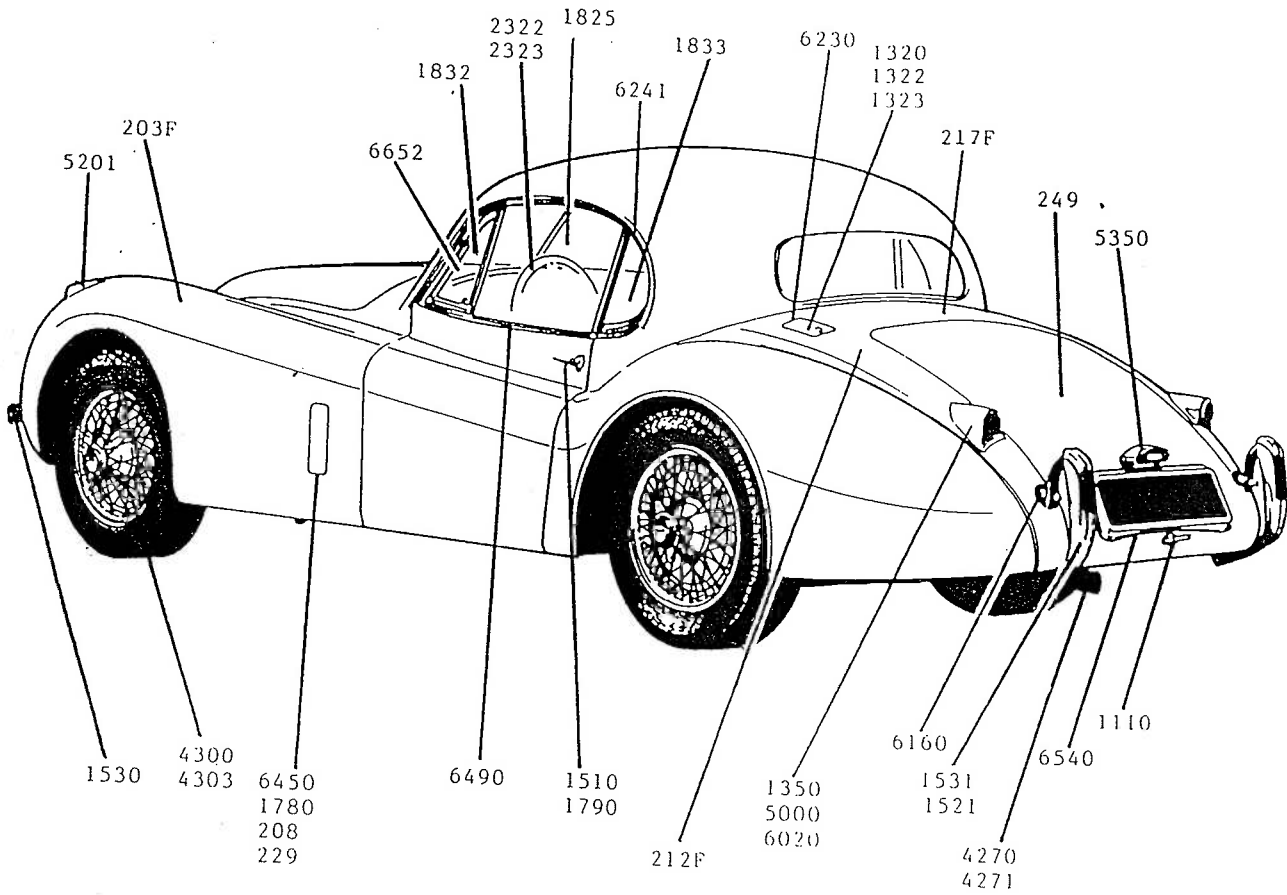
XK120 DHC

For Hood See  
9892 - Frame  
9916 - Cloth  
9900 - Loc. Bar  
9250 - Wood



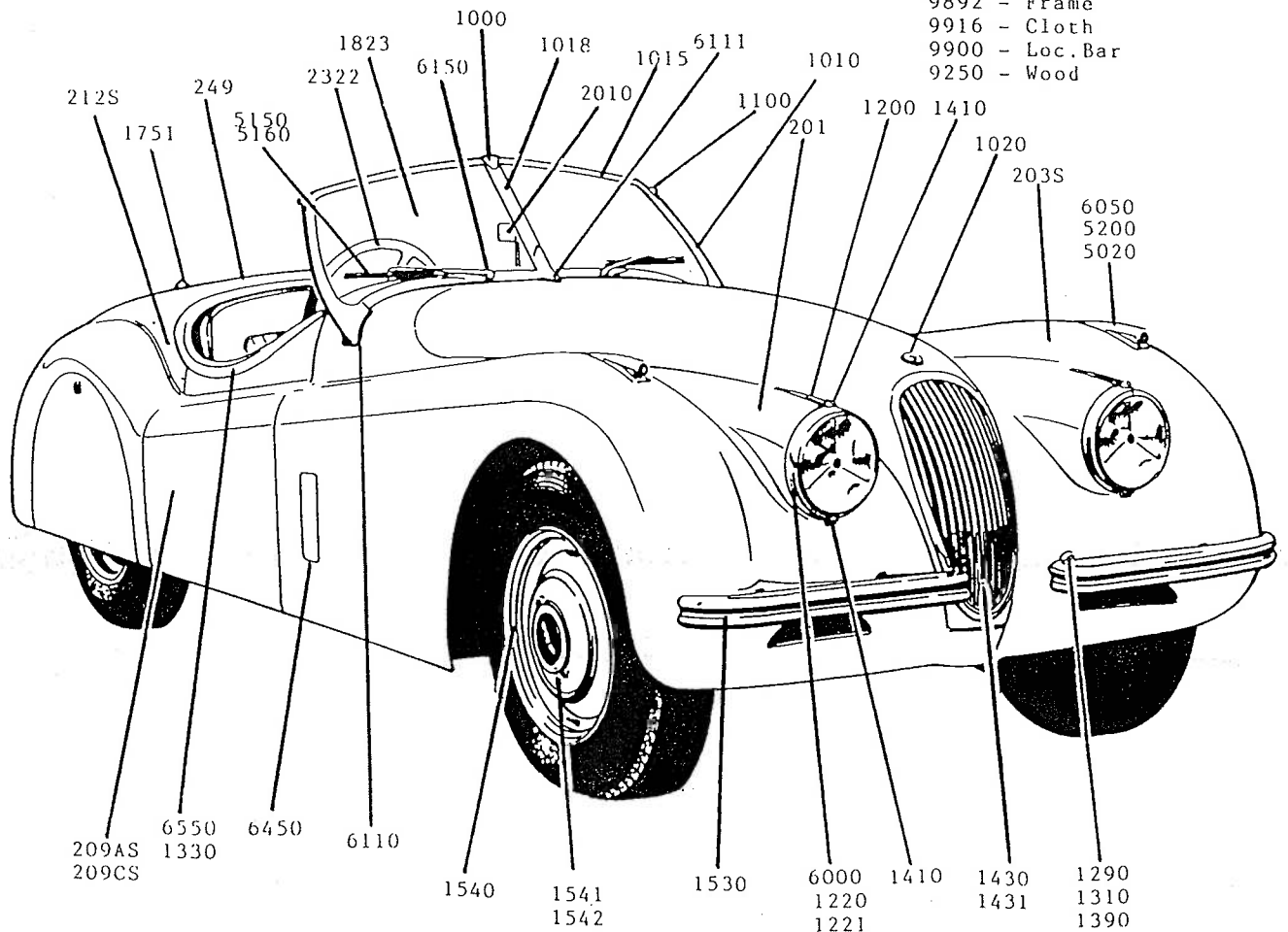
XK140 OTS

For Cockpit Veneer See 9241

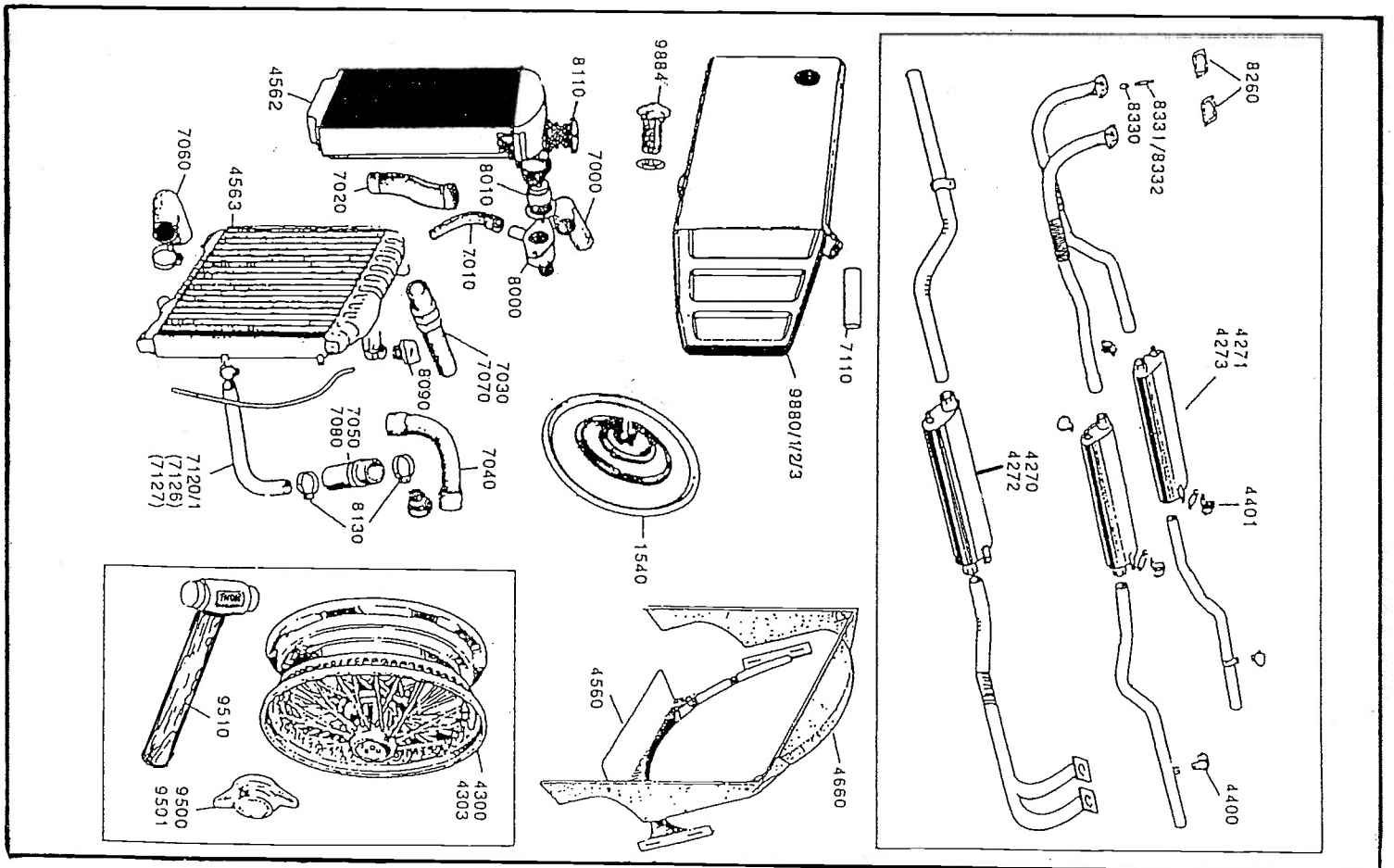
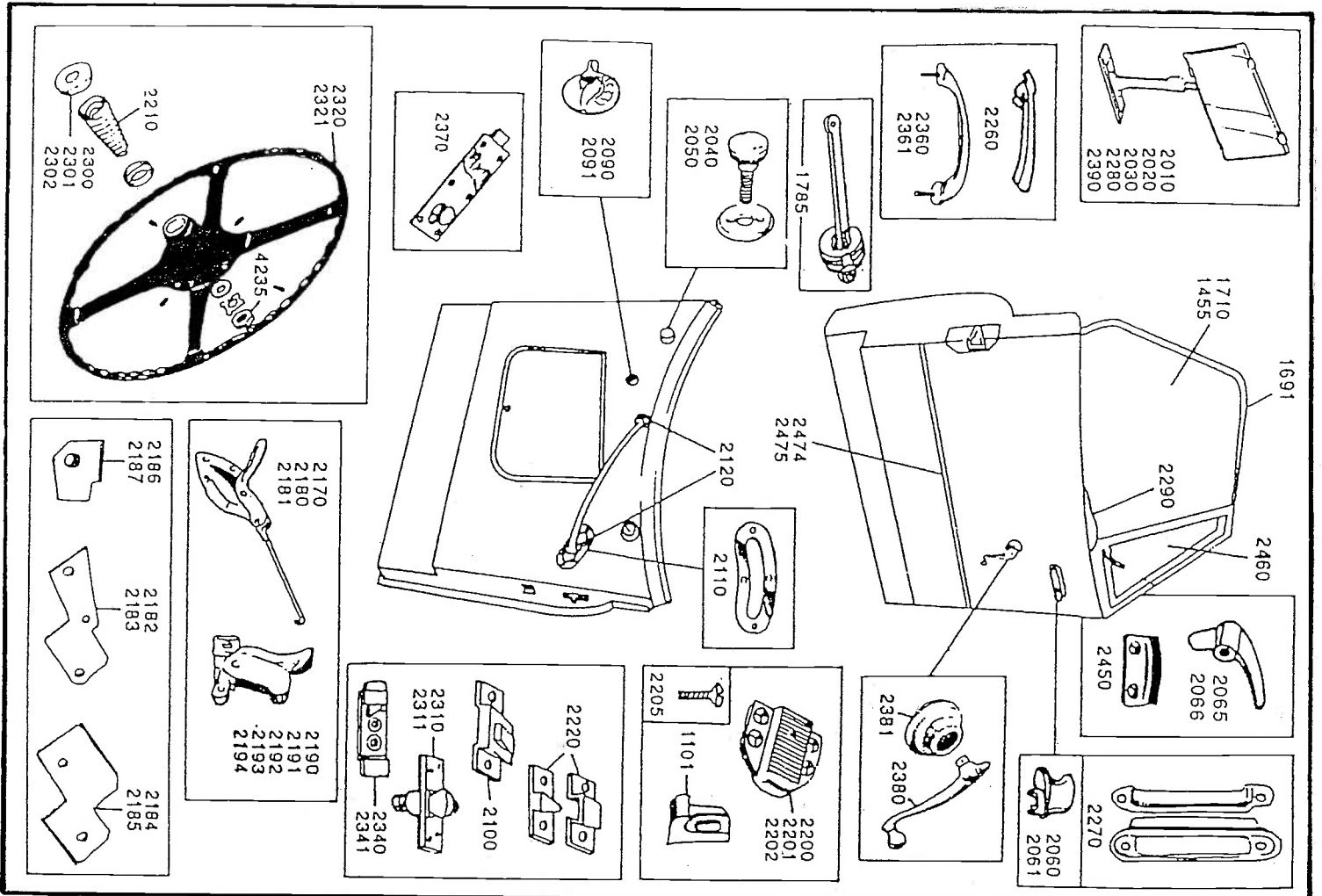


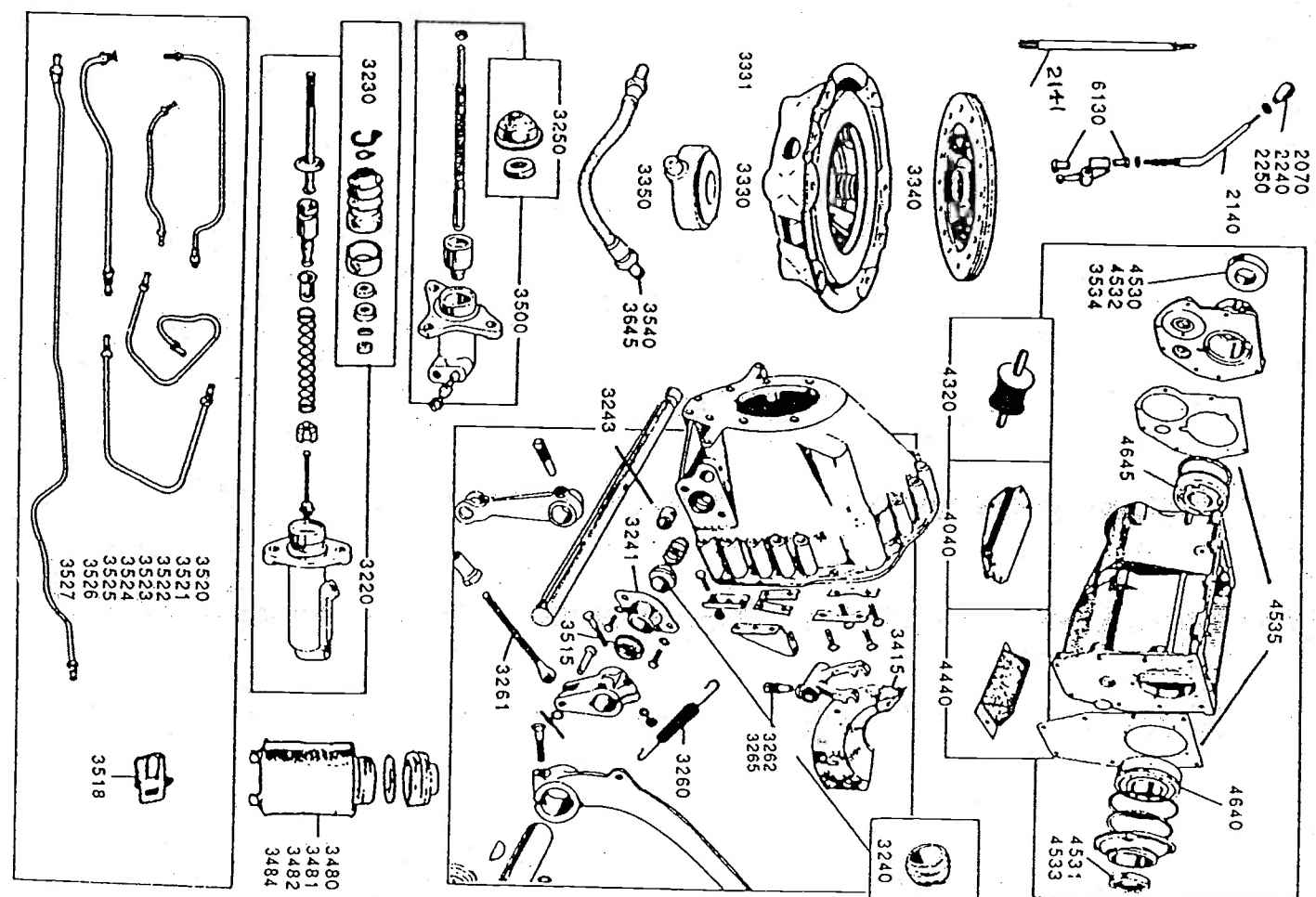
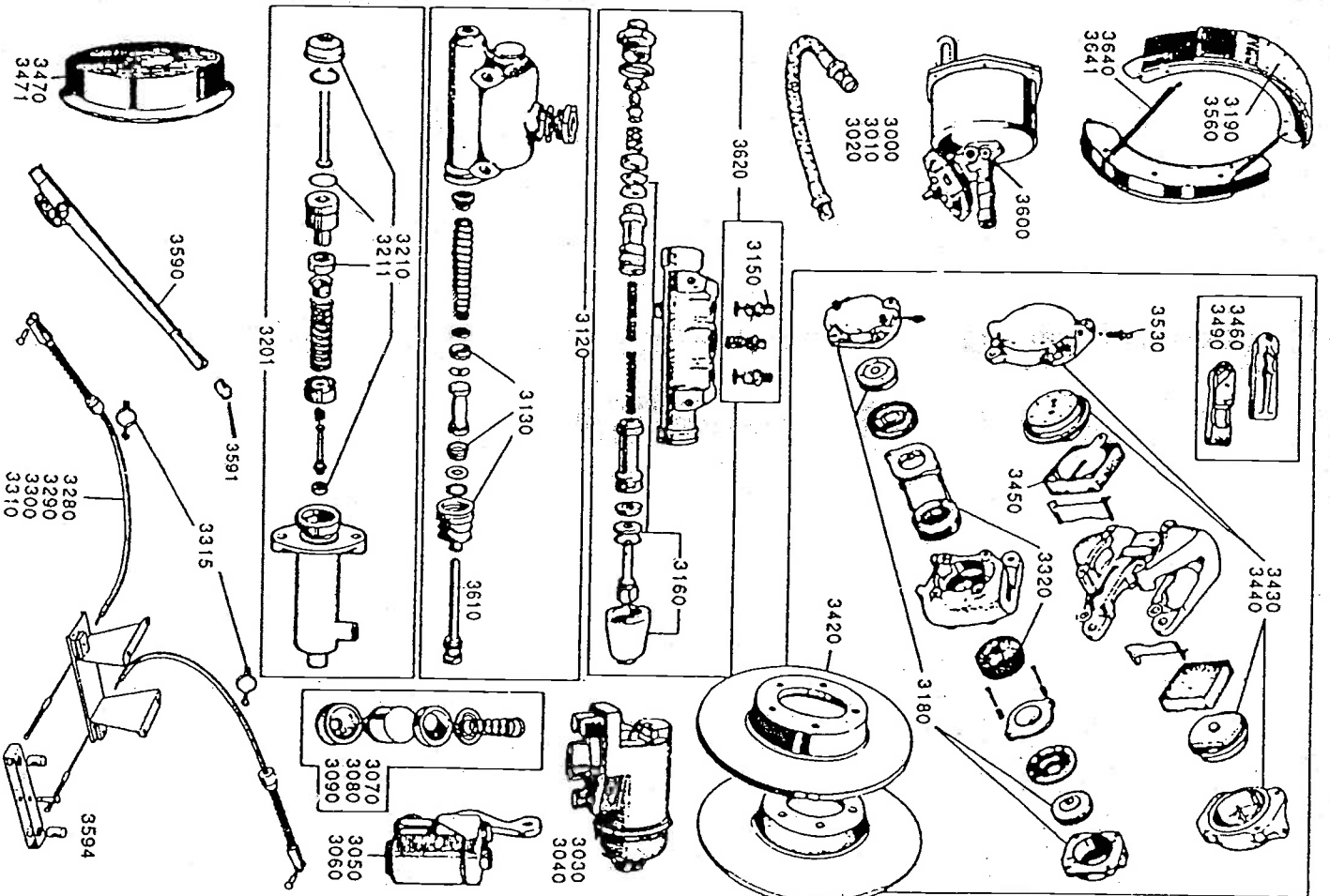
XK120FHC

For Hood See  
 9892 - Frame  
 9916 - Cloth  
 9900 - Loc. Bar  
 9250 - Wood

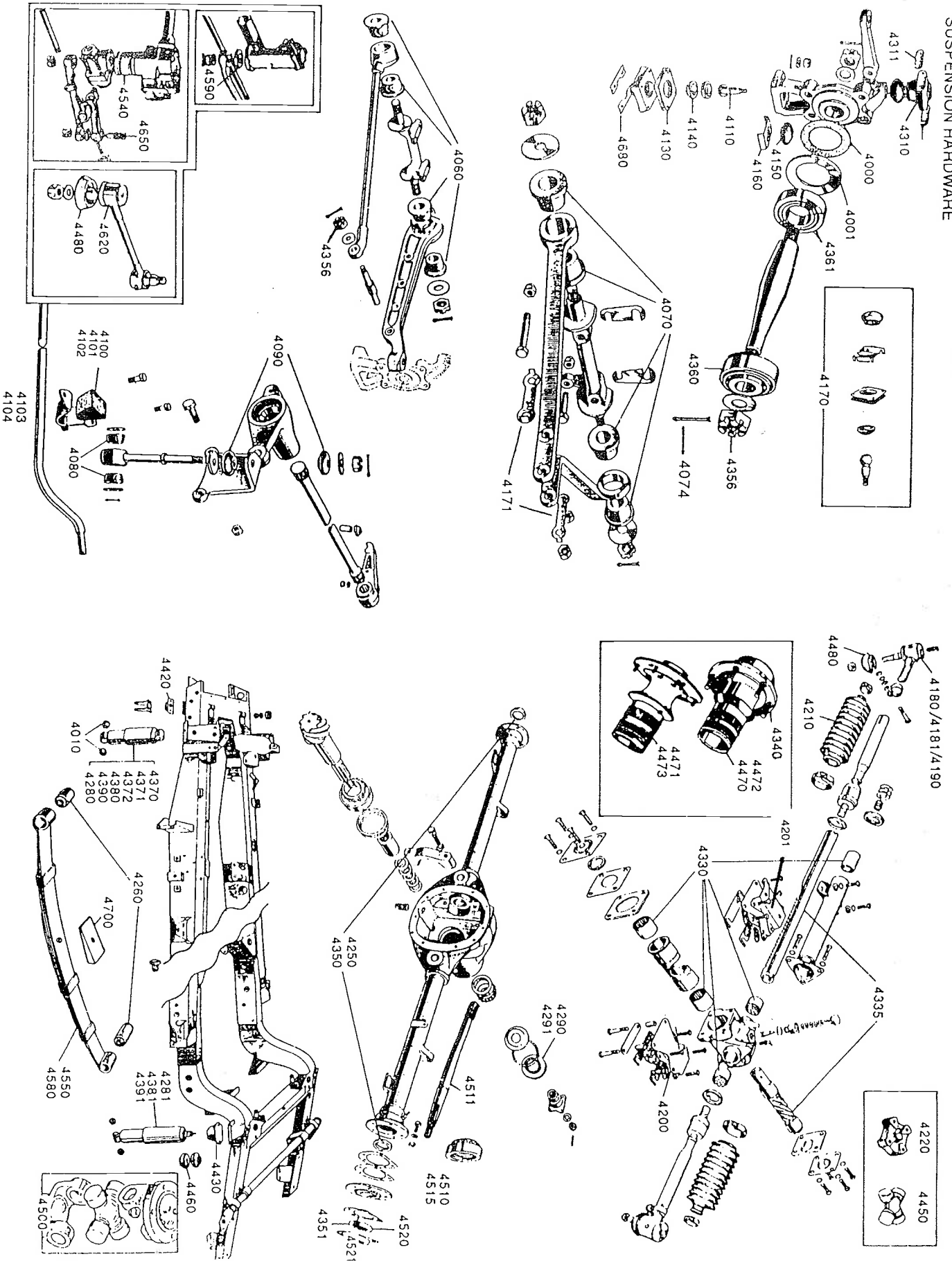


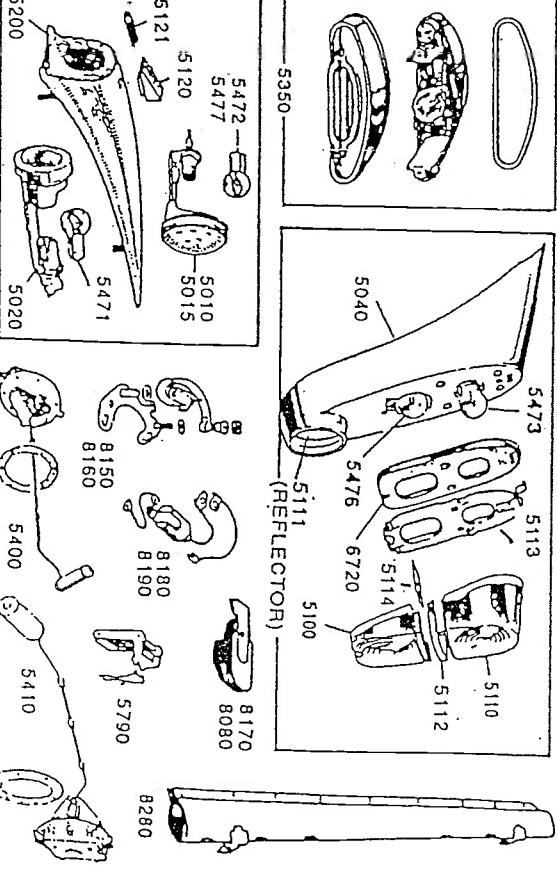
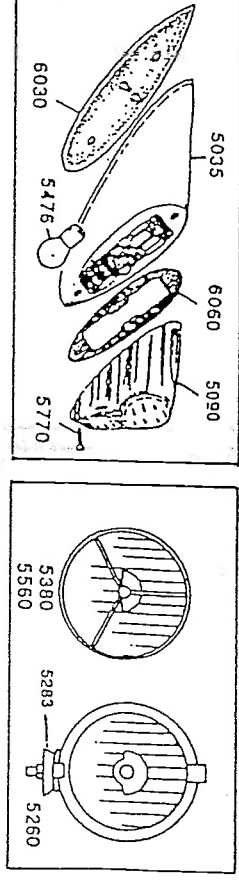
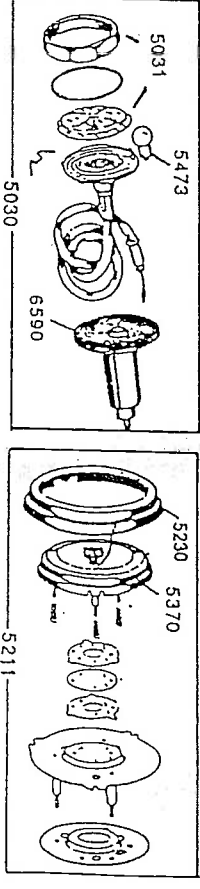
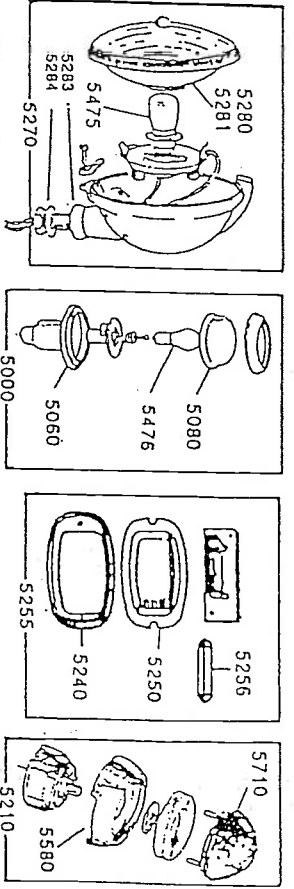
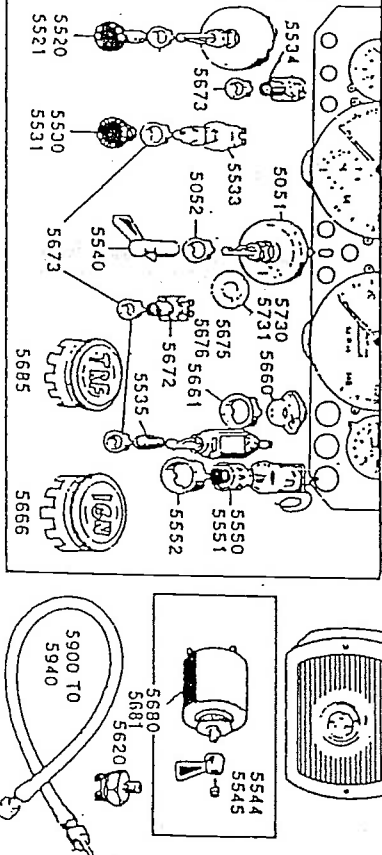
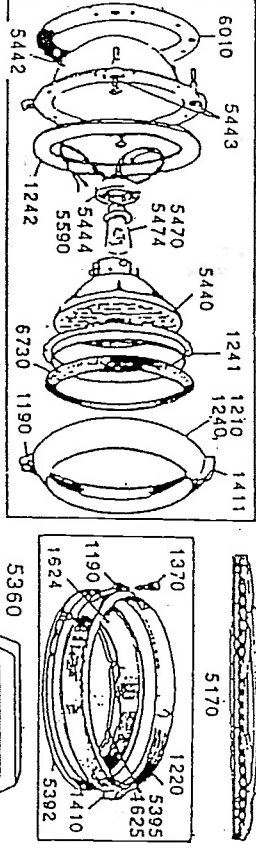
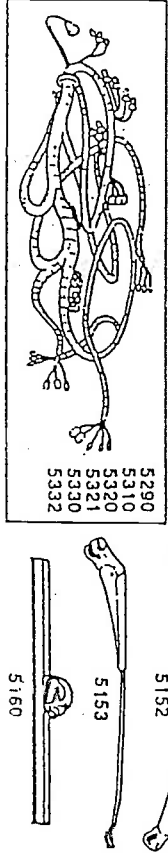
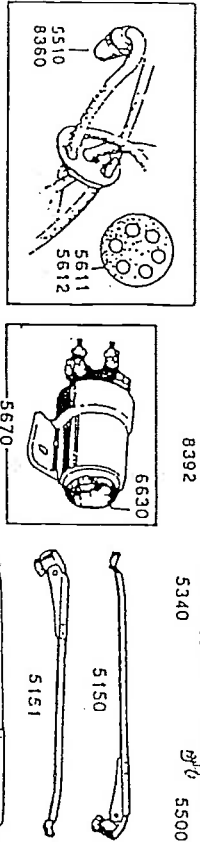
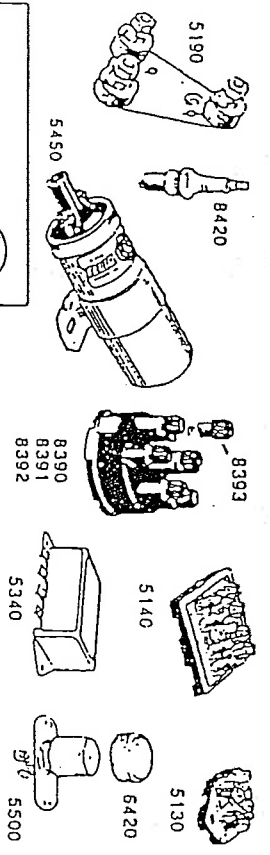






PLEASE ASK FOR DETAILS OF SECOND HAND  
SUSPENSION HARDWARE

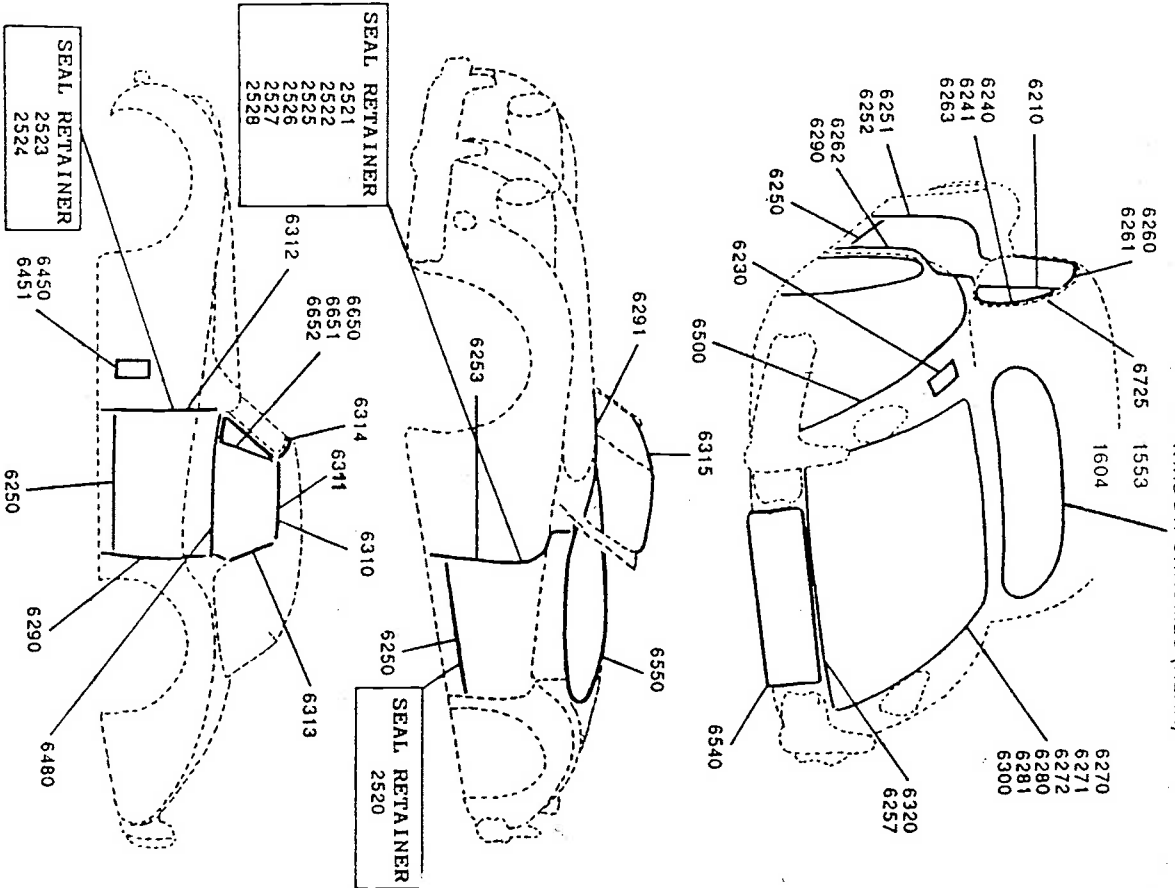




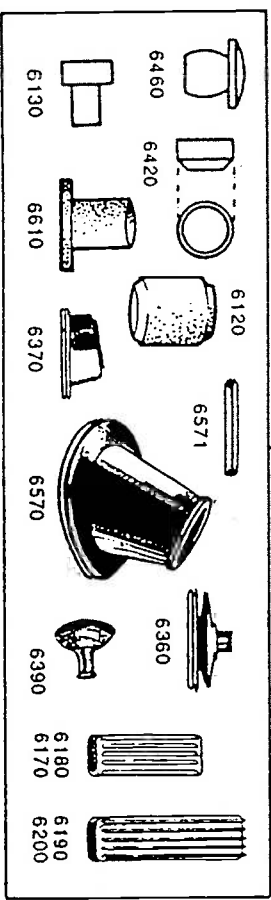
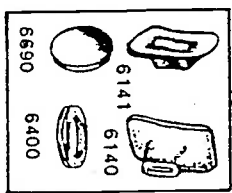
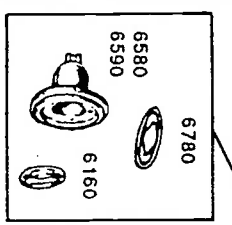
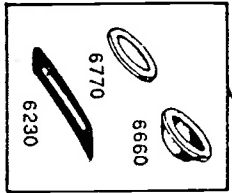
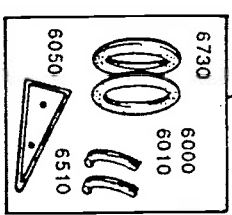
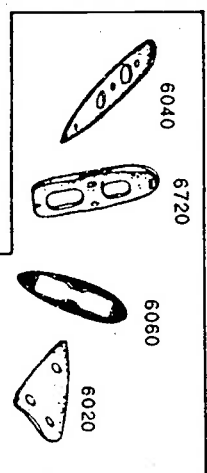
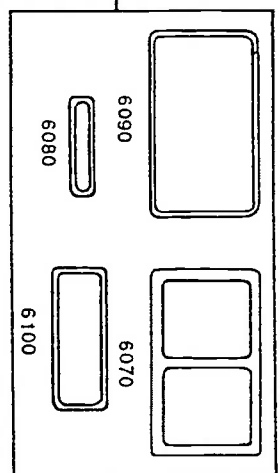
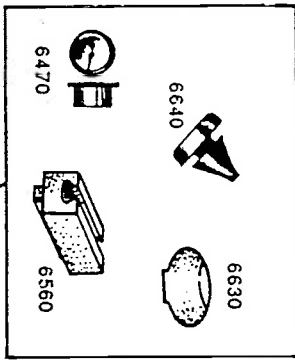
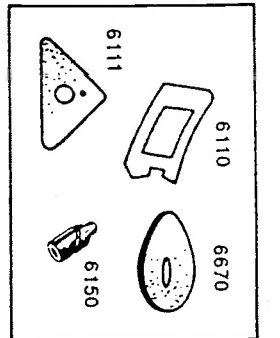
PLEASE ASK FOR DETAILS OF REBUILT SWITCHES



WINDOW CHROMES (REAR)



- BD 2045
- BD 4814
- BD 2159
- BD 9345
- BD 14100
- BD 4875
- BD 11031/1
- BD 8598
- FHC XKI40/150
- BD 2947



PLEASE ASK ABOUT SECOND HAND ENGINE ITEMS

